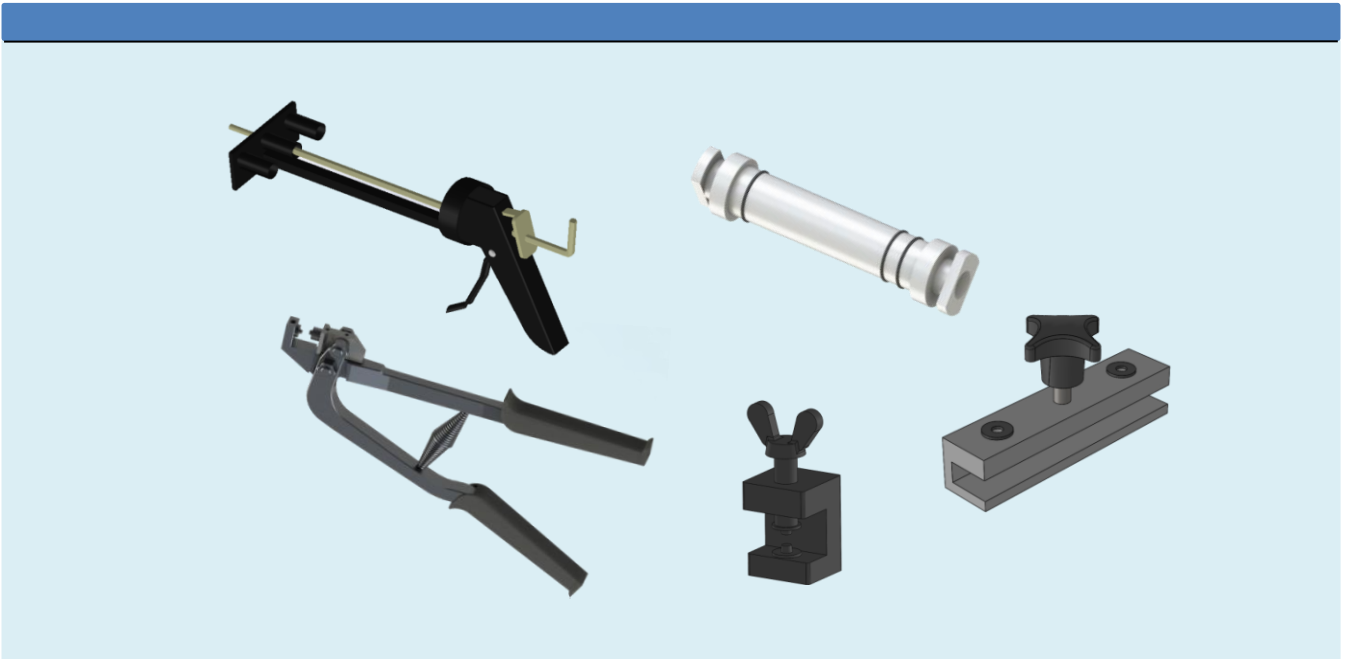


Tools

| | |
|-----------------------|---|
| Contents | |
| Pin insertion tool | 3 |
| Rivet crimping pliers | 3 |
| Mounting tool | 4 |
| Rivet crimping clamp | 4 |
| Drill fixture | 4 |
| Washer cleaner | 4 |
| Bending Machine | 4 |

TOOL

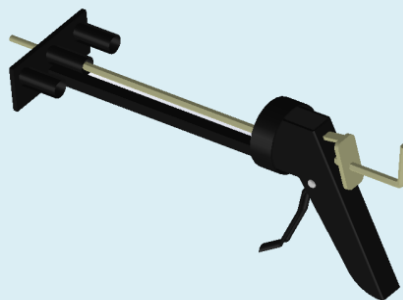
Tools



Tools

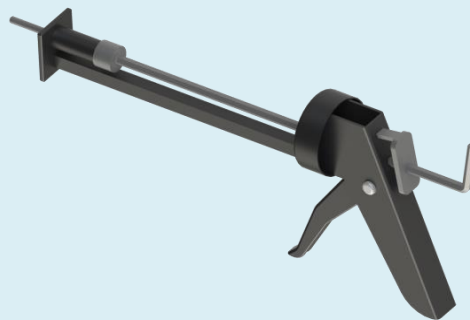
Pin insertion tool

FLMJ 4 For FS, FL
FMMJ 6 For FM
FHMJ 6 For FH



Pin insertion tool

FKMJ 8 For FK
FBMJ 6 For FB 140, 175, 295



Pin insertion tool

FBMJ 6P For FM, FH, F85, FB140

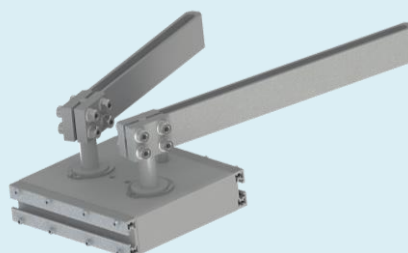


Rivet crimping pliers

F5051395 For FL, FM, FH
F3924776 For FS



Traffic police man

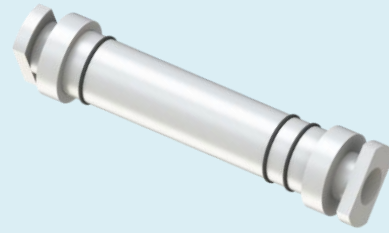


TOOL

Tools

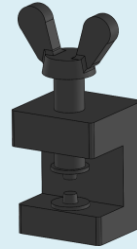
Mounting tool

| | |
|-----------------|----------------------|
| FLMR 140 | For FS & FL |
| FMMR 140 | For FM & FB140 |
| FHMR 200 | For FH |
| FKMR 200 | For FK |
| FBMR 170 | For F85, FB175 & 295 |



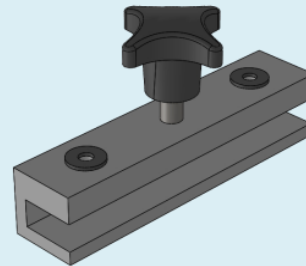
Rivet crimping clamp

| | |
|-----------------|----------------|
| F3923005 | For FL, FM, FH |
| F3924770 | For FS |

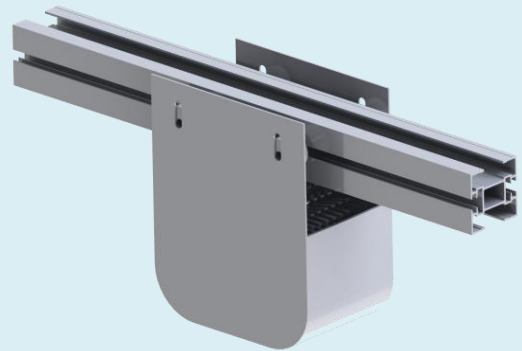


Drill fixture

| | |
|-----------------|----------------|
| F3924774 | For FS |
| F3920500 | For FL, FM, FH |



Washer cleaner



Bending Machine

F3922963

